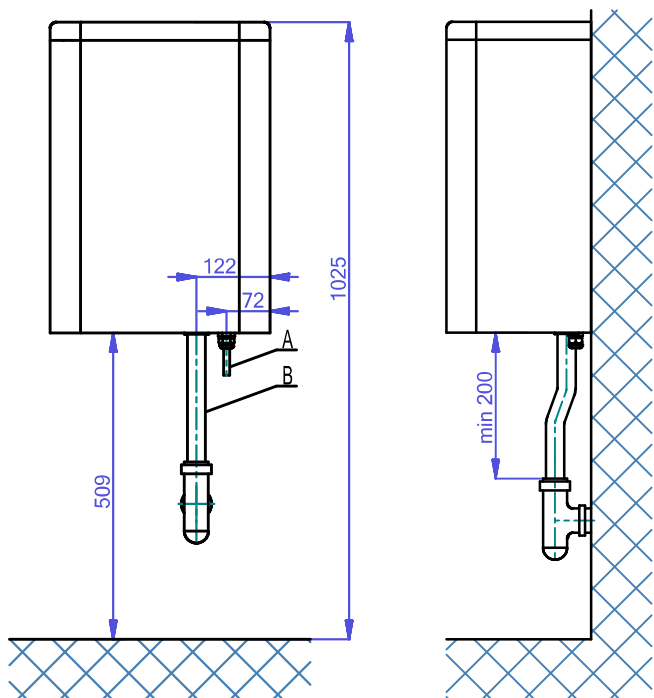
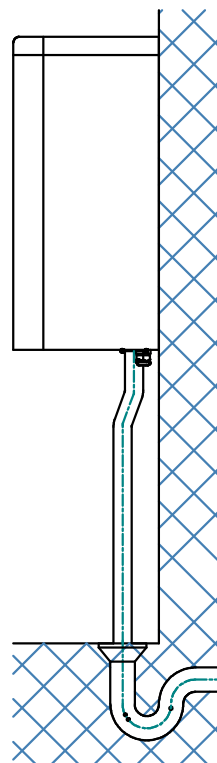


Waste connection – digits are in (mm):



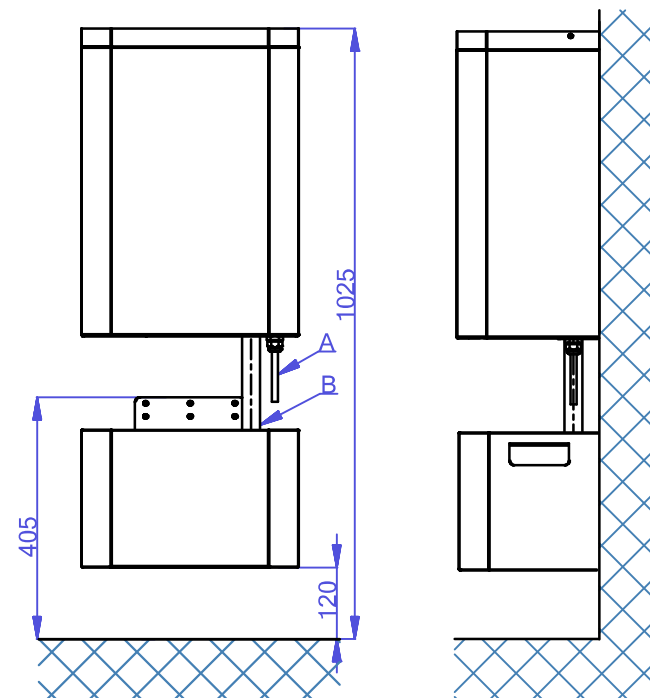
- A – power cord – length 2,5 m, optionally 4,5m
- B – drain hose – length 0,8 m
- Waste connection should be at least 200 mm below the bottom of the water extractor.
- Drain hose should be cut (shortened) as required. Drain hose should not be twisted in order to guarantee adequate water disposal.

Drain hose connected:



- Drain hose could be connected or put next to the drain in the floor.

Water container:



- A – power cord – length 2,5 m, optionally 4,5m
- B – drain hose – length 0,8 m
- Shorten the drain hose as needed, we recommend the drain hose to reach 5 - 10 cm below the top of the water container.
- Drain hose should not be twisted in order to guarantee adequate water disposal.